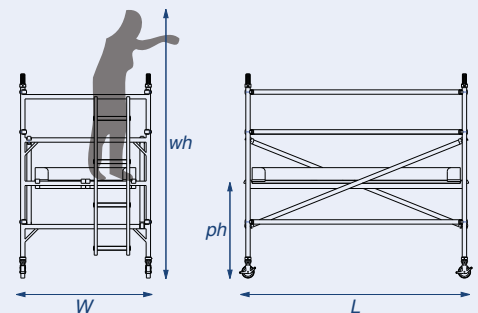


BOM

Item	Description	Quantity
1	Dual Locking Castors	4
2	500mm Adjustable Leg	4
3	2 Rung 1m Ladder Frame	0
4	2 Rung 1m Span Frame	0
5	3 Rung 1.5m Ladder Frame	0
6	3 Rung 1.5m Span Frame	0
7	4 Rung 2m Ladder Frame	1
8	4 Rung 2m Span Frame	1
9	Trap Door Platform	1
10	Standard Platform	0
11	Horizontal Brace (red trigger)	6
12	Diagonal Brace (blue trigger)	2
13	(New style) Complete Toe-board Set	1
14	Standard Stabiliser	0
15	Jumbo Stabiliser	0
16	Instruction Manual & BSEN1004 certificate of conformity	1



Technical Information

Base Dimensions:	(L)2.5m X (W)0.85m
Maximum Platform Height (ph):	1.2m
Maximum Working Height (wh):	3.2m
Maximum Working Load Per Platform:	275kg
Maximum Working Load Per Tower: (including tower weight)	950kg
Weight:	83kg